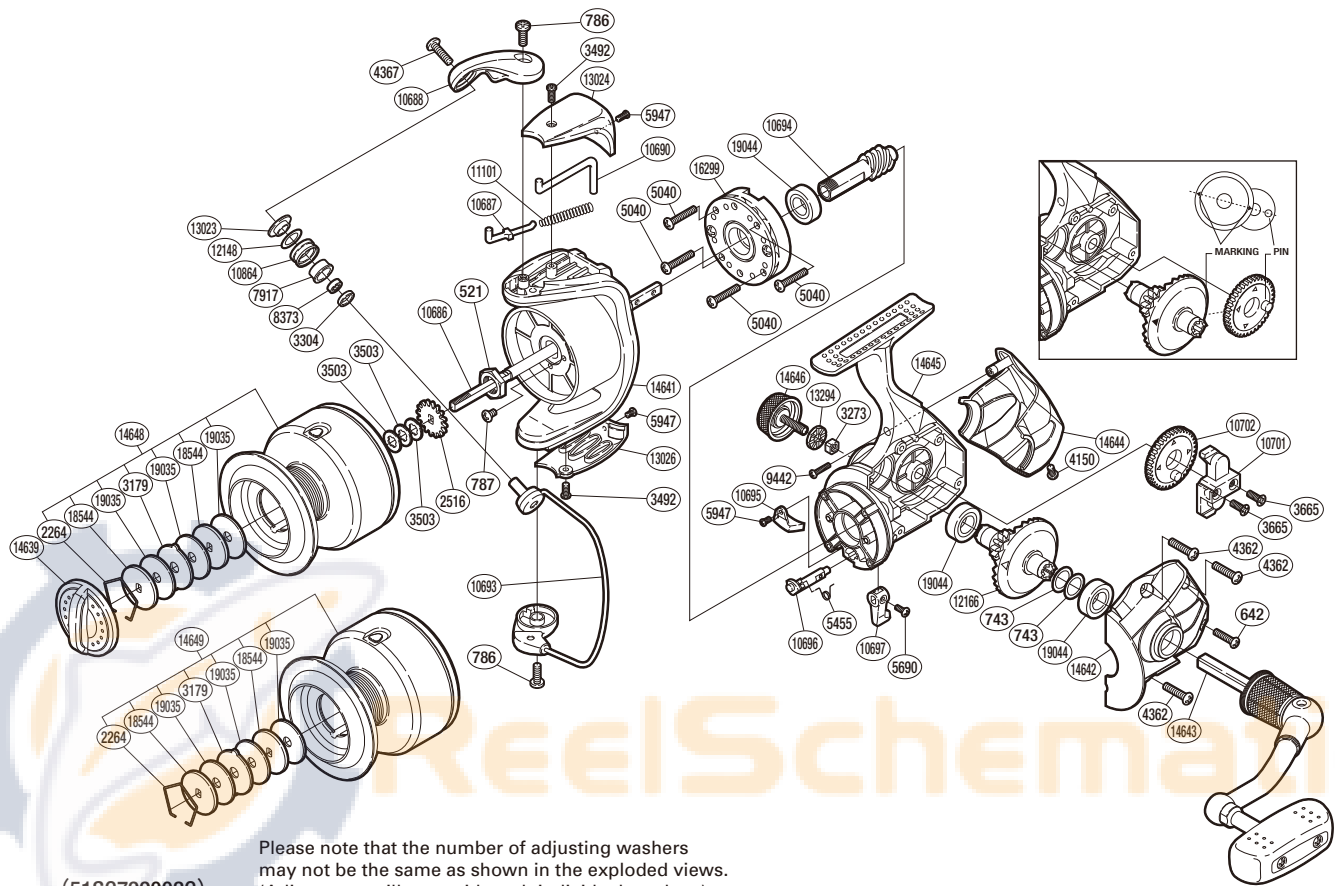


SHIMANO

EXAGE

EXG-10000FC



(51SG799002G)

Please note that the number of adjusting washers may not be the same as shown in the exploded views. (Adjustment will vary with each individual product.)

Part No.	Description	Part No.	Description	Part No.	Description
RD 0521	Rotor Nut	RD 5947	Screw	RD13023	Line Roller Washer
RD 0642	Screw	RD 7917	Line Roller Bushing	RD13024	Bail Spring Cover
RD 0743	Washer	RD 8373	Ball Bearing	RD13026	Bail Hold Support Guard
RD 0786	Screw	RD 9442	Screw	RD13294	Handle Screw Lock Washer
RD 0787	Screw	RD10686	Main Shaft	RD14639	Drag Knob
RD 2264	Drag Washers Retainer	RD10687	Bail Spring Guide A	RD14641	Rotor
RD 2516	Spool Support	RD10688	Bail Arm	RD14642	Side Cover
RD 3179	Eared Washer	RD10690	Bail Trip Lever	RD14643	Handle Assembly
RD 3273	Handle Screw Lock	RD10693	Bail Assembly	RD14644	Rear Protector
RD 3304	Bearing Spacer	RD10694	Pinion Gear	RD14645	Body
RD 3492	Screw	RD10695	Bail Trip Strike	RD14646	Handle Screw Cap
RD 3503	Spool Washer	RD10696	Anti-Reverse Cam	RD14648	Spool Assembly
RD 3665	Screw	RD10697	Anti-Reverse Lever	RD16299	Roller Clutch Assembly
RD 4150	Screw	RD10701	Oscillating Slider	RD18544	Key Washer
RD 4362	Screw	RD10702	Oscillating Gear	RD19035	Drag Washer
RD 4367	Screw	RD10864	Line Roller	RD19044	Ball Bearing
RD 5040	Screw	RD11101	Bail Spring		
RD 5455	Anti-Reverse Cam Spring	RD12148	Line Roller Spacer		
RD 5690	Screw	RD12166	Drive Gear	RD14649	Spare Spool Assembly